

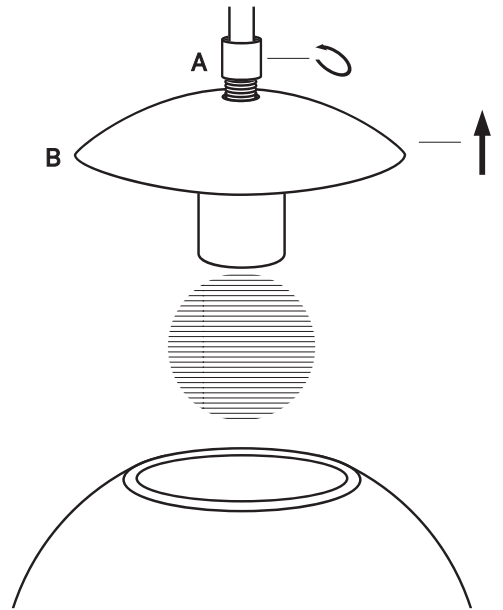
## GLASS BALL INSTALLATION AND REMOVAL GUIDE

In order to protect it, we recommend wearing gloves to manipulate the glass ball.

### NO NECK GLASS BALL

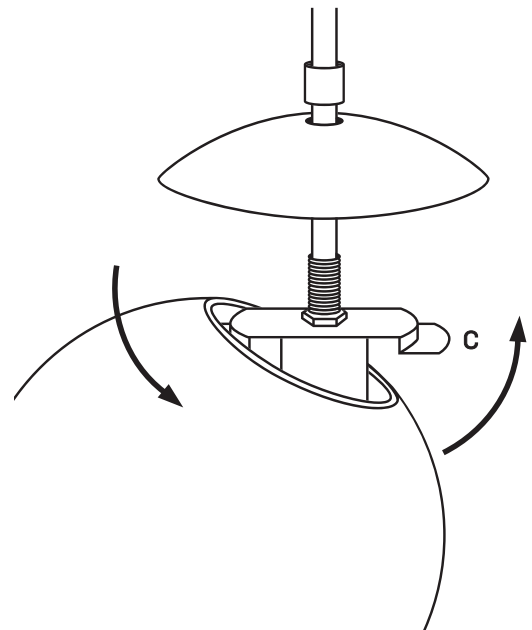
01

To insert the glass ball, unscrew the ring (A) and slide the ring and dome (B) up the wire or rod. Bring the glass ball closer.



02

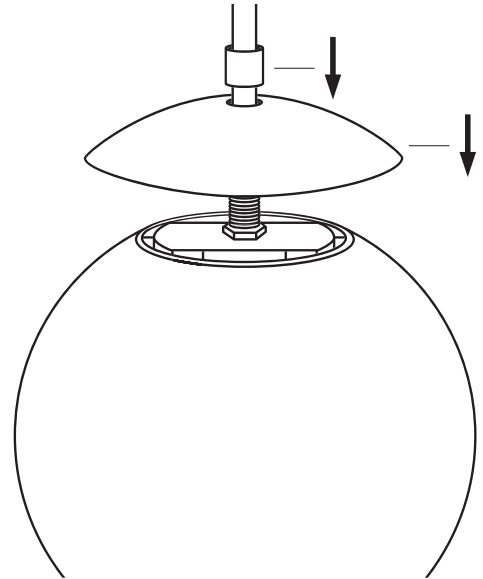
Slowly lift the glass ball over the socket of the bulb. Tilt the ball and bring it over the clip (C).



## GLASS BALL INSTALLATION AND REMOVAL GUIDE - CONT'D

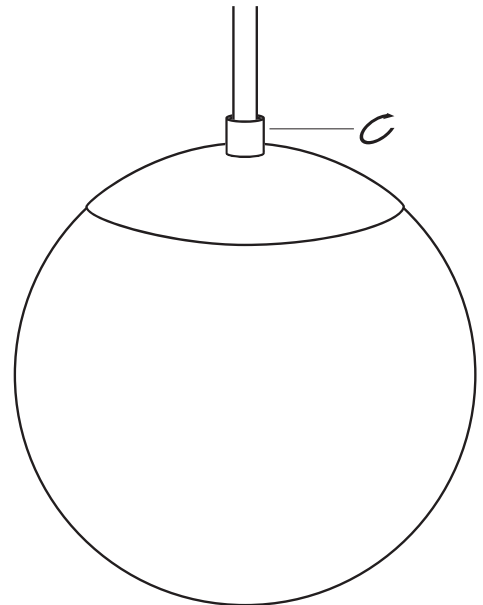
03

Centre the fastener on the wall glass ball wall. At this point, the glass ball should hold in place and press against the fastener. Replace the dome and ring.



04

Tighten the ring to secure. Make sure not to overtighten the ring to avoid damage to the glass ball and components..

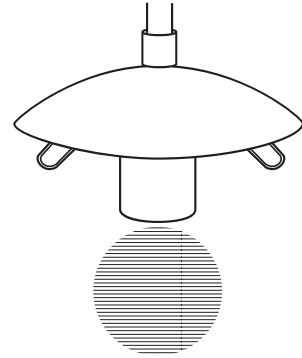


## GLASS BALL INSTALLATION AND REMOVAL GUIDE - CONT'D

### NO NECK GLASS BALL WITH CLAMPS

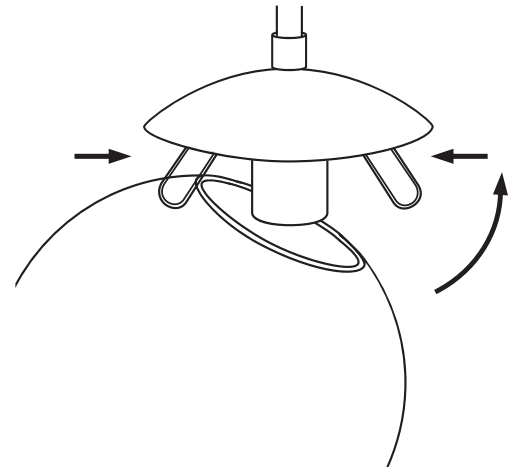
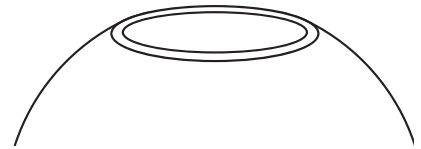
01

To put the glass ball, bring it to the tongs



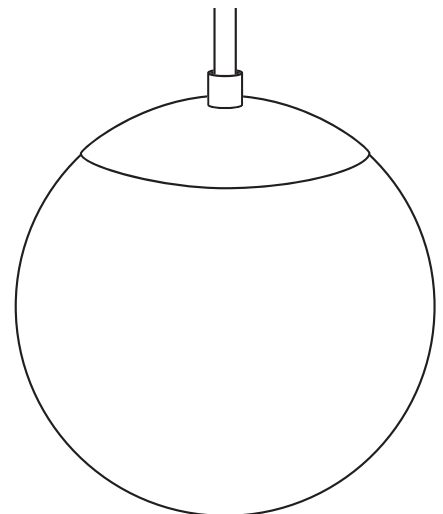
02

Tilt the glass ball and press against the butterfly clamps to insert them inside the glass ball.



03

Gently release the glass ball. Check the stability one last time before fully releasing.

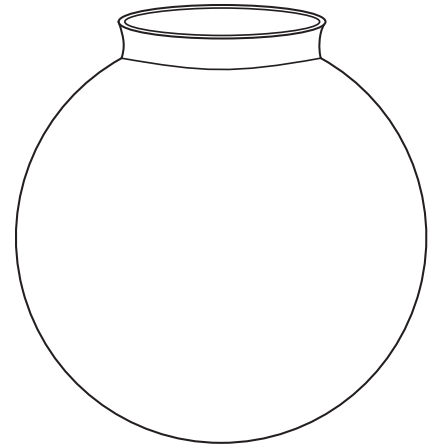
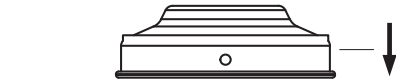


## GLASS BALL INSTALLATION AND REMOVAL GUIDE - CONT'D

### WITH NECK GLASS BALL

01

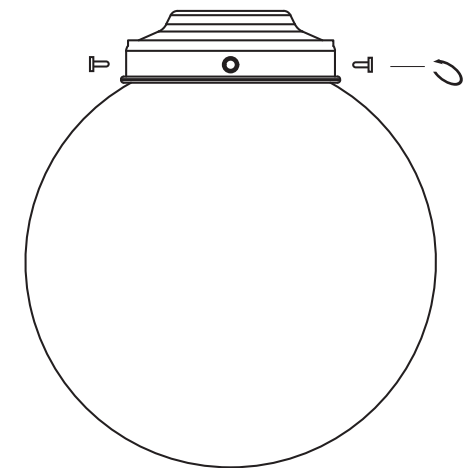
To put on the glass ball, bring the clip to the neck of the ball and hold it in place.



02

Tighten the ring to secure. Make sure not to overtighten the ring to avoid damage to the glass ball and components.

Be careful not to over tighten



03

Once screwed in, gently release the glass ball. Check the stability one last time before fully releasing.

