

## Nopal Nube 1206-LA20/40

Type: Applique/Flushmount

Matériaux/Materials: Aluminium powder coat •  
Verre/Glass

Specifications: E26 base LED, 120 volts, dimmable

Ampoule/Bulb: Tala Sphere I 3.8 Watt • 220 Lumens •  
2000K to 2800K Dim to warm

Poids/Weight: 2 lb.

Garantie/Warranty: 5 ans/years

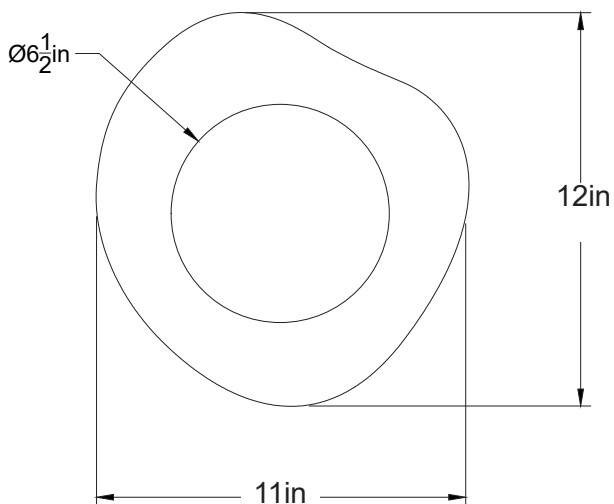
Certification: 

Usage intérieur seulement/Indoor use only

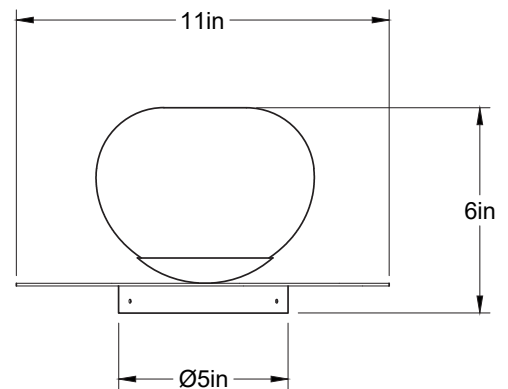
Lien 3D/link: [Cliquez ici/Click here](#)



Pour tous les fichiers 3D, incluant CAD, Revit et IES,  
visitez le [www.luminaireauthentik.com](http://www.luminaireauthentik.com) / For 3D drawings of all products,  
including CAD, Revit and IES files, please visit [www.luminaireauthentik.com](http://www.luminaireauthentik.com)

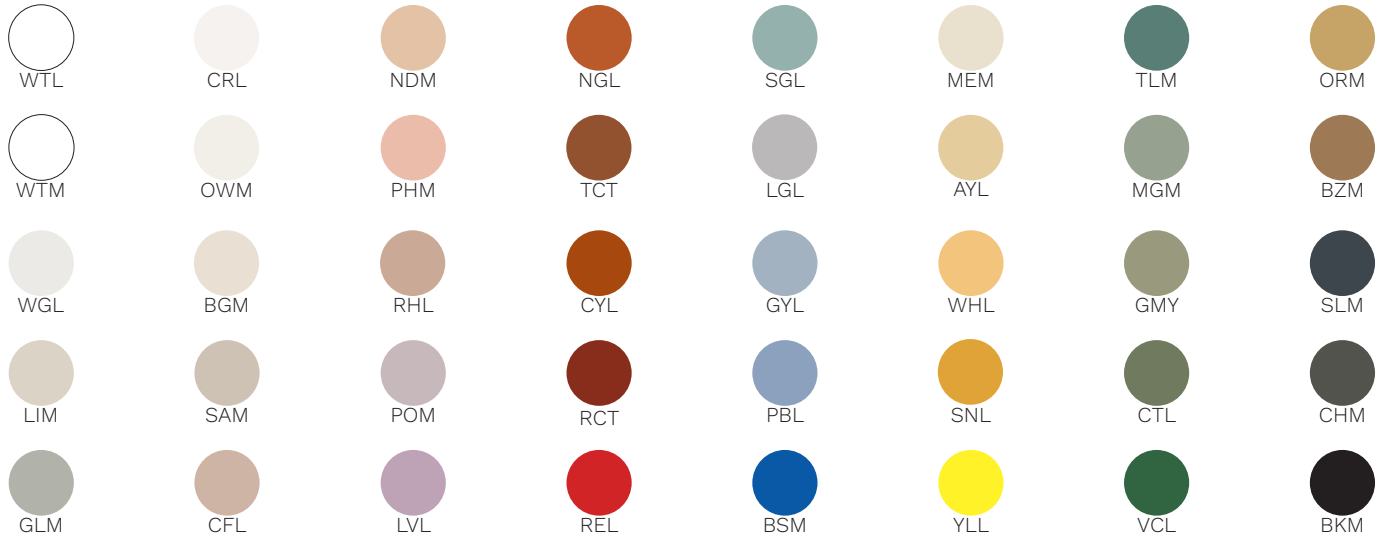


Avant/Front



Dessus/Top

## Abat-jour/Shade Ext.



## Couleur boule de verre/Glass ball colour



## Finition boule de verre/Glass ball finish



Canopy style + colour



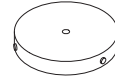
BRR (\$)



WTM



Môme A-J/  
Same as shade



04