

## Dune 15-LA00-L

Type: Suspension/Pendant


Matériaux/Materials: Aluminium powder coat

Specifications: E26 base LED, 120 volts, dimmable

Ampoule/Bulb: Tala Sphere II 6 Watt • 480 Lumens • 2000K to 2800K Dim to warm

Poids/Weight: 4 lb.

Garantie/Warranty: 5 ans/years

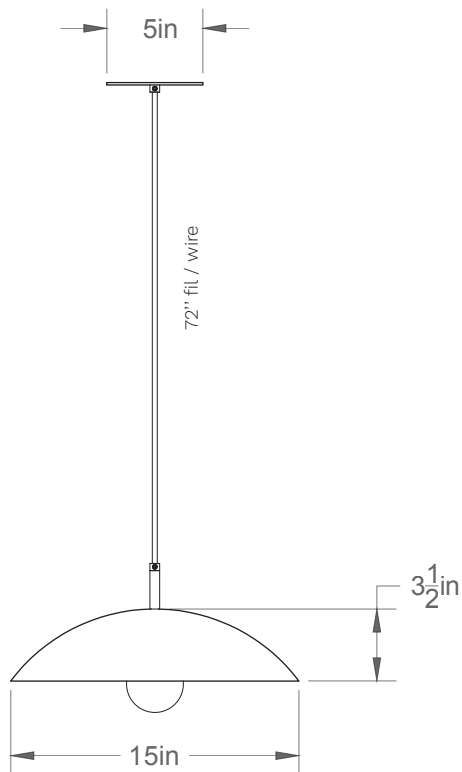
Certification: 

Usage intérieur seulement/Indoor use only

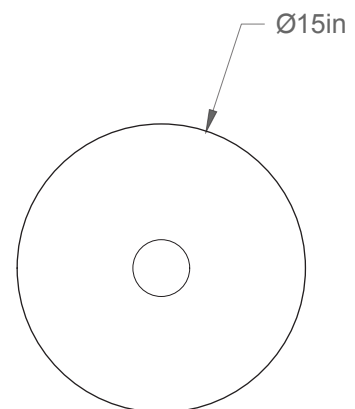
Lien 3D/link: [Cliquez ici/Click here](#)



Pour tous les fichiers 3D, incluant CAD, Revit et IES, visitez le [www.luminaireauthentik.com](http://www.luminaireauthentik.com) / For 3D drawings of all products, including CAD, Revit and IES files, please visit [www.luminaireauthentik.com](http://www.luminaireauthentik.com)

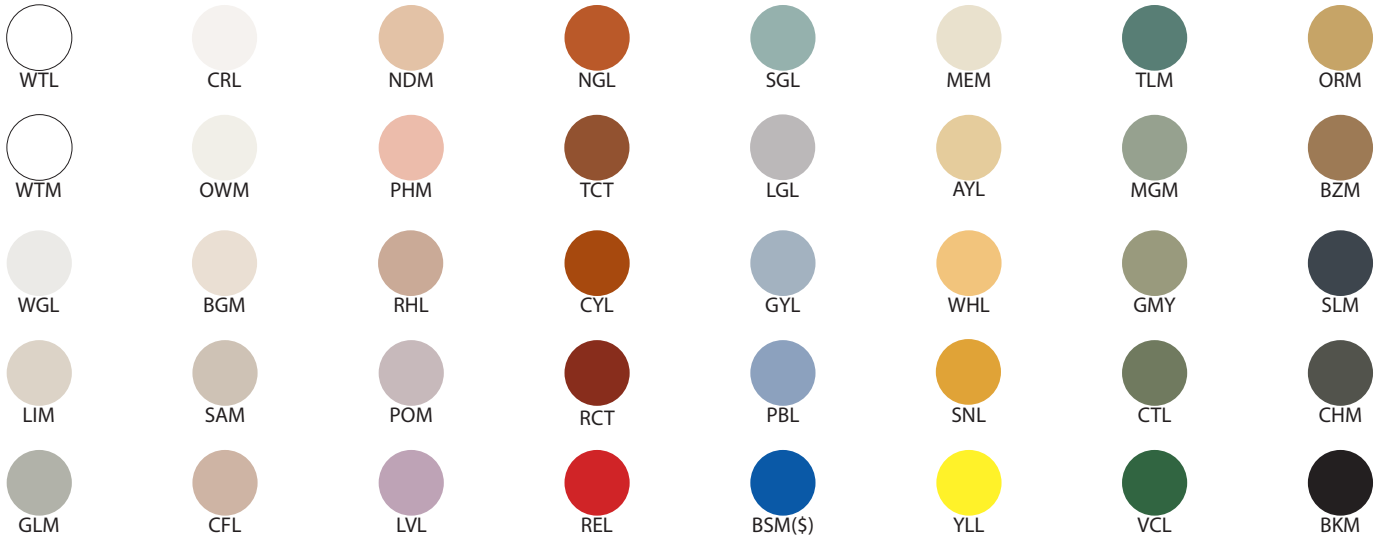


Avant/Front



Dessus/Top

## Abat-jour/Shade Ext-1.



## Abat-jour/Shade Int.



## Fil/Wire



## Quincaillerie/Hardware



## Canopy style + colour

