

Dune 09-LA00-S



Type: Suspension/Pendant


Matériaux/Materials: Aluminium powder coat

Specifications: E26 base LED, 120 volts, dimmable

Ampoule/Bulb: Tala Sphere I 3.8 Watt • 220 Lumens • 2000K to 2800K Dim to warm

Poids/Weight: 3 lb.

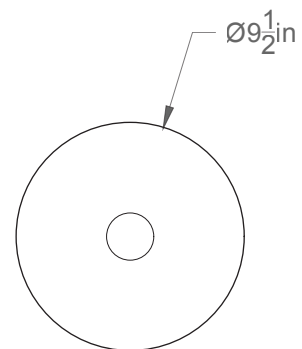
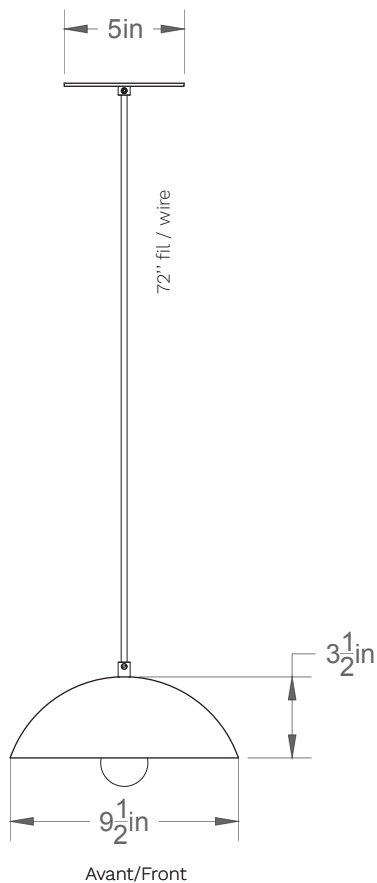
Garantie/Warranty: 5 ans/years

Certification: 

Usage intérieur seulement/Indoor use only

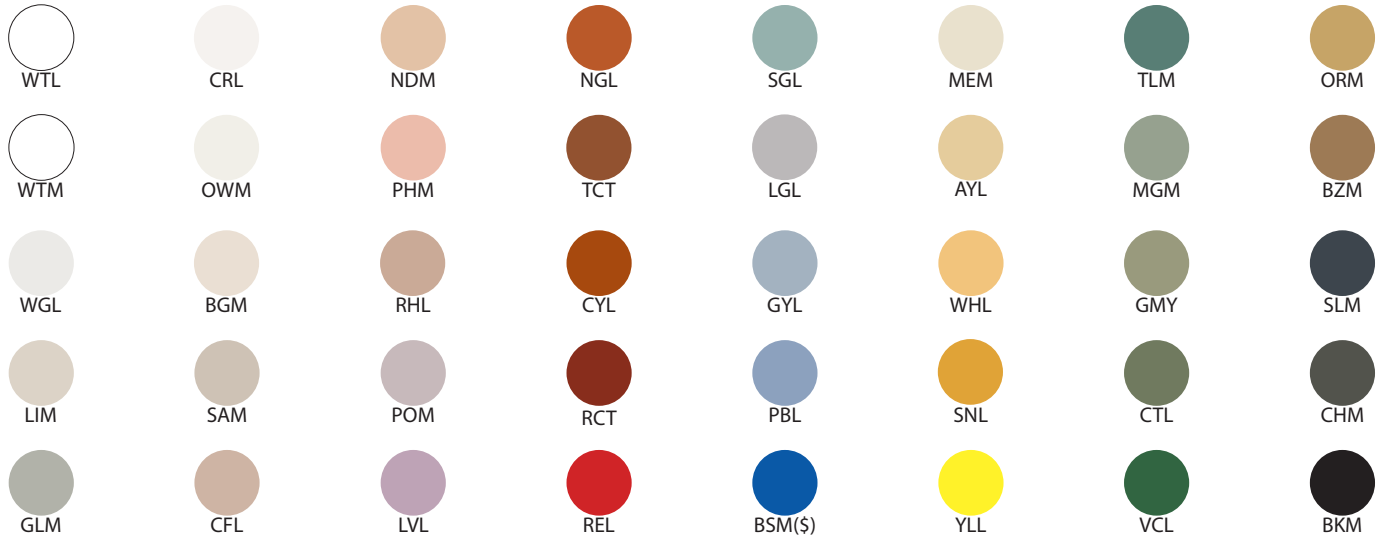
Lien 3D/link: [Cliquez ici/Click here](#)

Pour tous les fichiers 3D, incluant CAD, Revit et IES, visitez le www.luminaireauthentik.com / For 3D drawings of all products, including CAD, Revit and IES files, please visit www.luminaireauthentik.com



Dessus/Top

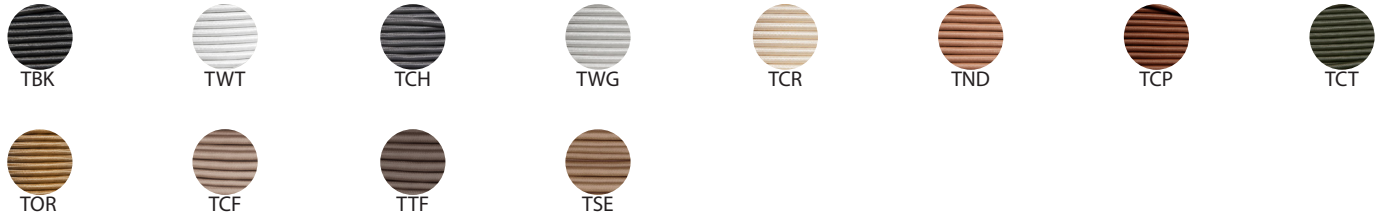
Abat-jour/Shade Ext-1.



Abat-jour/Shade Int.



Fil/Wire



Quincaillerie/Hardware



Canopy style + colour

