



Danoise 0905-LA00-S

Type: Suspension/Pendant


Matériaux/Materials: Aluminium powder coat •
Verre/Glass

Specifications: E26 base LED, 120 volts, dimmable

Ampoule/Bulb: Tala Sphere I 3.8 Watt • 220 Lumens •
2000K to 2800K Dim to warm

Poids/Weight: 3 lb.

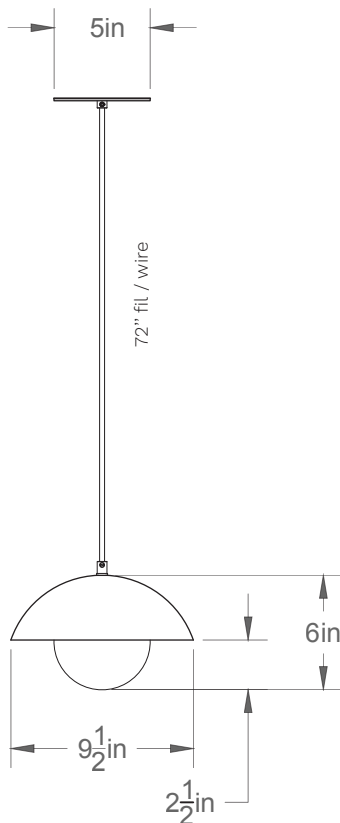
Garantie/Warranty: 5 ans/years

Certification: 

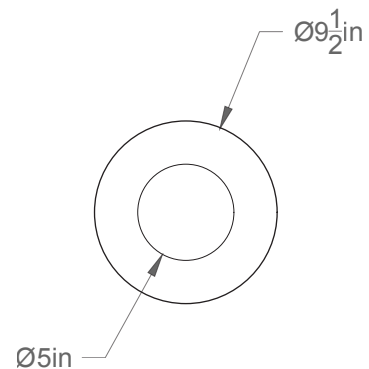
Usage intérieur seulement/Indoor use only

Lien 3D/link: [Cliquez ici/Click here](#)

Pour tous les fichiers 3D, incluant CAD, Revit et IES,
visitez le www.luminaireauthentik.com / For 3D drawings of all products,
including CAD, Revit and IES files, please visit www.luminaireauthentik.com

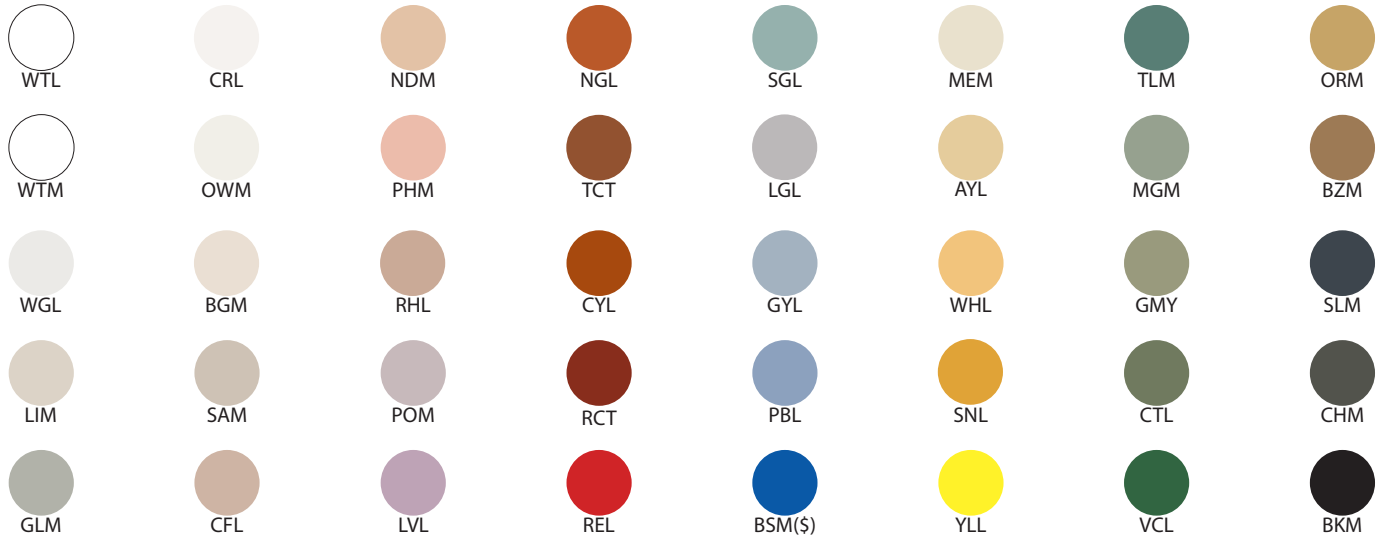


Avant/Front



Dessus/Top

Abat-jour/Shade Ext.



Abat-jour/Shade Int.



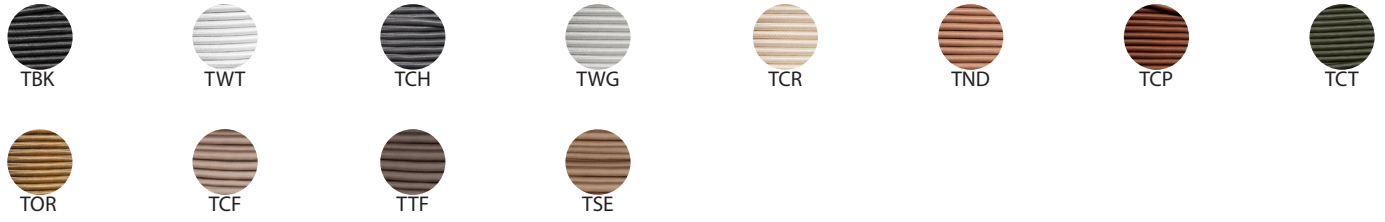
Couleur boule de verre/Glass ball colour



Finition boule de verre/Glass ball finish



Fil/Wire



Quincaillerie/Hardware



Canopy style + colour

