

## 5-Lotus-LA00-S



Type : Suspension/Pendant


Matériaux/Materials : Aluminium powder coat

Specifications : E26 base LED, 120 volts, dimmable

Ampoule/Bulb : Tala Sphere I 3.8 Watt • 220 Lumens • 2000K to 2800K Dim to warm

Poids/Weight : 25 lb.

Garantie/Warranty : 5 ans/years

Certification : 

Usage intérieur seulement/Indoor use only

Lien 3D/link : [Cliquez ici/Click here](#)

Inclus/Included :

(3) Lotus 07

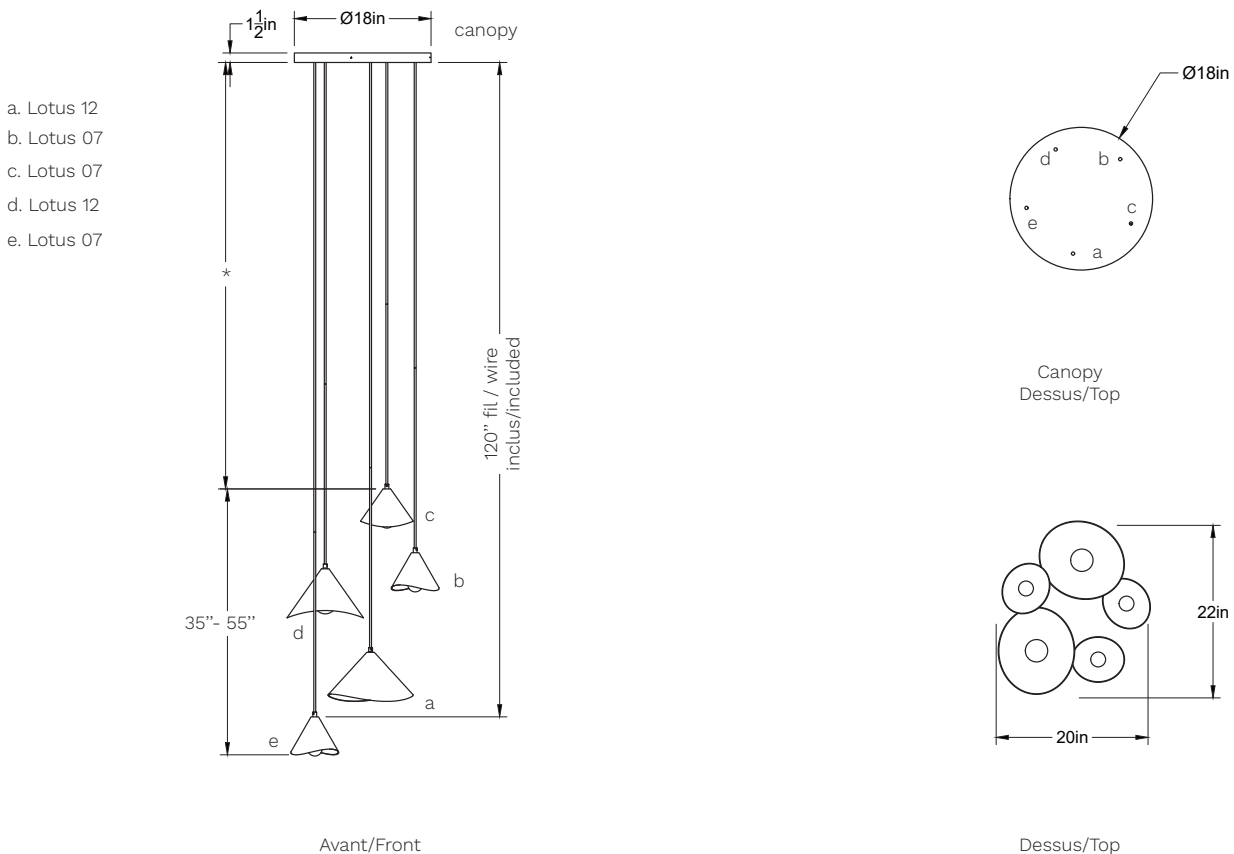
(2) Lotus 12

5 crochets/hooks

1 canopy 18"Øx1.5", 5 sorties/exits

\*Taille minimale suggérée / Minimum suggested size

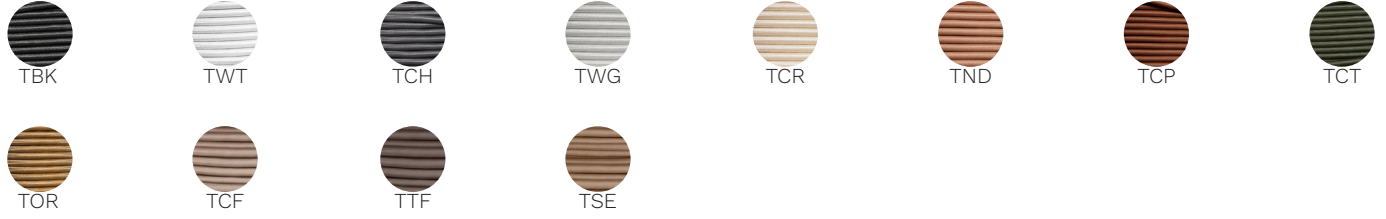
Pour tous les fichiers 3D, incluant CAD, Revit et IES, visitez le [www.luminaireauthentik.com](http://www.luminaireauthentik.com) / For 3D drawings of all products, including CAD, Revit and IES files, please visit [www.luminaireauthentik.com](http://www.luminaireauthentik.com)



Abat-jour/Shade Ext.



## Fil/Wire



## Quincaillerie/Hardware



## Canopy style + colour



## Crochet/Hook

