

Nopal 2405-2-LA20/40

Type: Applique/Flushmount

Matériaux/Materials: Aluminium powder coat •
Verre/Glass

Specifications: E26 base LED, 120 volts, dimmable

Ampoule/Bulb: Tala Sphere I 3.8 Watt • 220 Lumens •
2000K to 2800K Dim to warm

Poids/Weight: 7 lb.

Garantie/Warranty: 2 ans/years

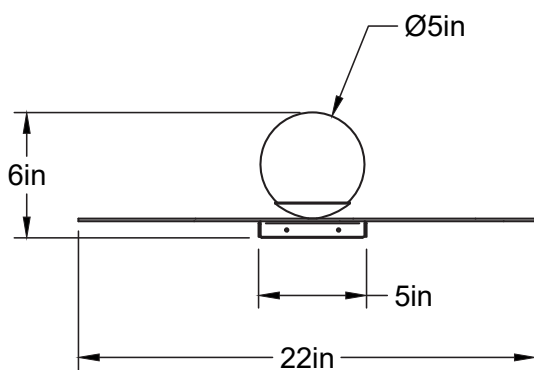
Certification: 

Usage intérieur seulement/Indoor use only

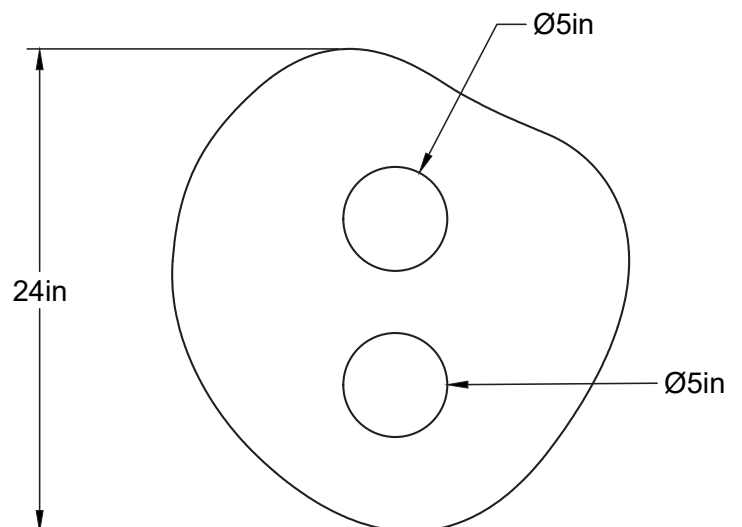
Lien 3D/link: [Cliquez ici/Click here](#)



Pour tous les fichiers 3D, incluant CAD, Revit et IES,
visitez le www.luminaireauthentik.com / For 3D drawings of all products,
including CAD, Revit and IES files, please visit www.luminaireauthentik.com

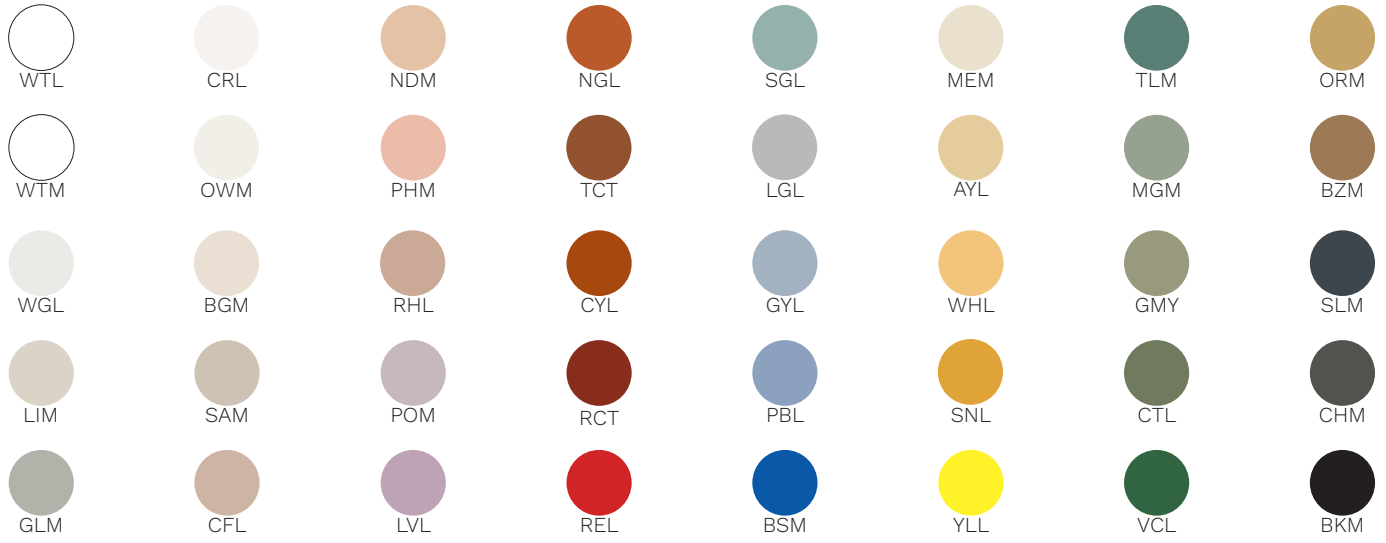


Avant/Front



Dessus/Top

Abat-jour/Shade Ext.



Couleur boule de verre/Glass ball colour



Finition boule de verre/Glass ball finish



Canopy style + colour



BRR (\$)



WTM



Mème A-J/
Same as shade



04