

Luna 08-LA12

Type : Suspension/Pendant

Matériaux/Materials : Aluminium powder coat

Specifications : E26 base LED, 120 volts, dimmable

Ampoule/Bulb : Tala Sphere II 6 Watt • 480 Lumens • 2000K to 2800K Dim to warm

Poids/Weight : 7 lb.

Garantie/Warranty : 2 ans/years

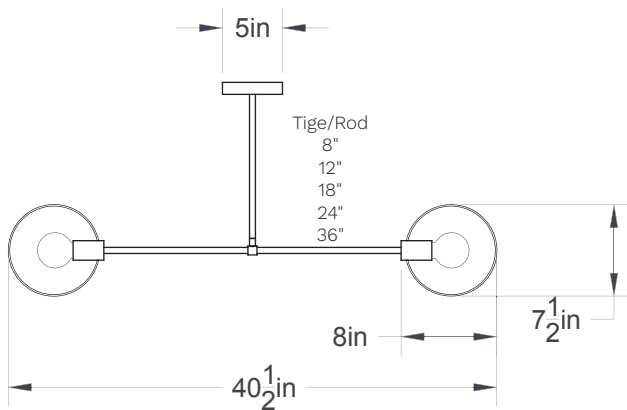
Certification : 

Usage intérieur seulement/Indoor use only

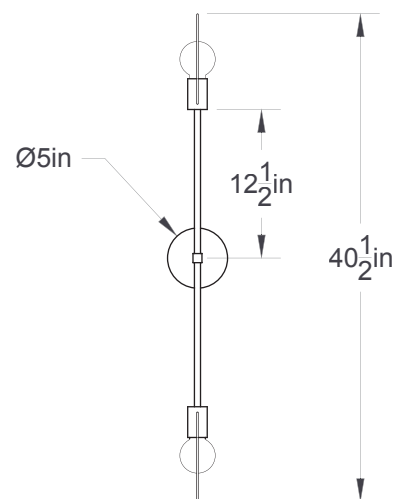
Lien 3D/link : [Cliquez ici/Click here](#)



Pour tous les fichiers 3D, incluant CAD, Revit et IES, visitez le www.luminaireauthentik.com / For 3D drawings of all products, including CAD, Revit and IES files, please visit www.luminaireauthentik.com



Avant/Front



Dessus/Top

Abat-jour/Shade Ext.



WTL



CRL



NDM



NGL



SGL



MEM



TLM



ORM



WTM



OWM



PHM



TCT



LGL



AYL



MGM



BZM



WGL



BGM



RHL



CYL



GYL



WHL



GMY



SLM



LIM



SAM



POM



RCT



PBL



SNL



CTL



CHM



GLM



CFL



LVL



REL



BSM



YLL



VCL

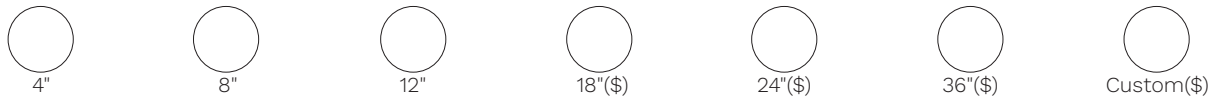


BKM

Tige/Rod



Option tige vertical/Vertical rod option



Canopy style + colour

